

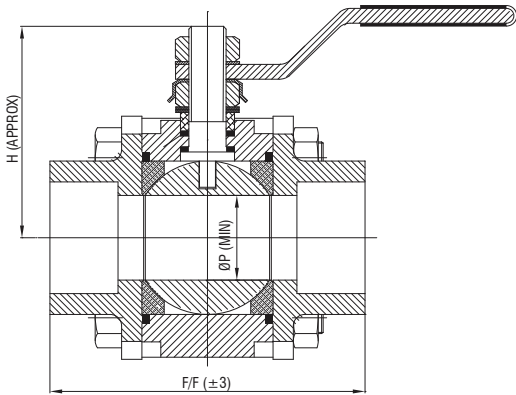
→ Ball Valve

Technical Specification

Design Standard	ISO 17292
Testing Standard	EN12266-1
Face to Face Standard	Manufacturer's Standard
Socket Weld Standard	ASME B16.11
Screwed End Standard	ASME B1.20.1
Butt Weld Standard	ASME B16.25
Flange End Standard	ASME B16.5

Material of Construction

		STAINLESS STEEL	STAINLESS STEEL	STAINLESS STEEL	STAINLESS STEEL	STAINLESS STEEL
17	NAME PLATE	STAINLESS STEEL	STAINLESS STEEL	STAINLESS STEEL	STAINLESS STEEL	STAINLESS STEEL
16	SLEEVE	PVC	PVC	PVC	PVC	PVC
15	STAR WASHER	MS	MS	MS	MS	MS
14	HANDLE	CARBON STEEL	SS-304	SS-304	SS-304	SS-304
13	LOCKING WASHER	MS	MS	MS	MS	MS
12	STEM NUT	ASTM A 194 GR. 2H	ASTM A 194 GR. 2H	ASTM A 194 GR. 2H	ASTM A 194 GR. 2H	ASTM A 194 GR. 2H
11	DISC SPRING	CARBON STEEL	CARBON STEEL	CARBON STEEL	CARBON STEEL	CARBON STEEL
10	GLAND BUSH	ASTM A 276 TYPE SS-304	ASTM A 276 TYPE SS-304	ASTM A 276 TYPE SS-316	ASTM A 276 TYPE SS-304	ASTM A 276 TYPE SS-316
09	STEM PACKING	PTFE / *GRAFOIL	PTFE / *GRAFOIL	PTFE / *GRAFOIL	PTFE / *GRAFOIL	PTFE / *GRAFOIL
08	THRUST WASHER	GLASS FILLED TEFLON	GLASS FILLED TEFLON	GLASS FILLED TEFLON	GLASS FILLED TEFLON	GLASS FILLED TEFLON
07	HEX. BOLTS & NUTS	ASTM A 193 GR. B7/2H	ASTM A 193 GR. B8/8	ASTM A 193 GR. B8M /8M	ASTM A 193 GR. B8/8	ASTM A 193 GR. B8M/8M
06	GASKET	PTFE / *GRAFOIL	PTFE / *GRAFOIL	PTFE / *GRAFOIL	PTFE / *GRAFOIL	PTFE / *GRAFOIL
05	STEM	ASTM A 276 TYPE SS-304	ASTM A 276 TYPE SS-304	ASTM A 276 TYPE SS-316	ASTM A 276 TYPE SS-304	ASTM A 276 TYPE SS-316
04	BALL	ASTM A 351 GR. CF8	ASTM A 351 GR. CF8	ASTM A 351 GR. CF8M	ASTM A 351 GR. CF8	ASTM A 351 GR. CF8M
03	SEAT	PTFE	PTFE	PTFE	PTFE	PTFE
02	END PIECE	ASTM A 105	ASTM A 182 GR. F-304	ASTM A 182 GR. F-316	ASTM A 351 GR. CF8	ASTM A 351 GR. CF8M
01	BODY	ASTM A 105	ASTM A 182 GR. F-304	ASTM A 182 GR. F-316	ASTM A 351 GR. CF8	ASTM A 351 GR. CF8M
	DESCRIPTION	MATERIAL	MATERIAL	MATERIAL	MATERIAL	MATERIAL
		MOC A 105	MOC F-304	MOC F-316	MOC CF8	MOC CF8M

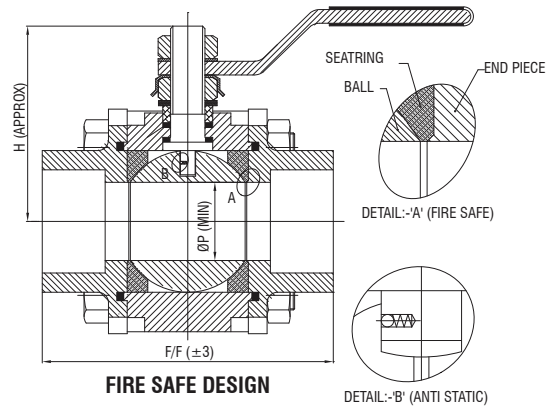


NON FIRE SAFE DESIGN

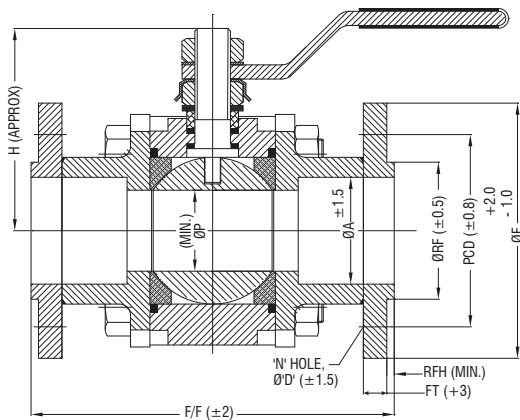
Dimensions

600#/800#	R.B.	15mm (1/2")	20mm (3/4")	25mm (1")	32mm (1-1/4")	40mm (1-1/2")	50mm (2")	
	F.B.	10mm (3/8")	15mm (1/2")	20mm (3/4")	25mm (1")	32mm (1-1/4")	40mm (1-1/2")	50mm (2")
Face To Face	F/F (mm)	68	73	96	103	116	128	142
Bore Diameter	ØP (mm)	10	14	20	25	30.5	37.3	50.5
Height	H (mm)	38	40	53	56	75	80	90
Approx. Weight	W(Kg)	0.6	0.9	1.7	2.3	3.1	4.7	6.2

600#/800#	R.B.	15mm (1/2")	20mm (3/4")	25mm (1")	32mm (1-1/4")	40mm (1-1/2")	50mm (2")	
	F.B.	10mm (3/8")	15mm (1/2")	20mm (3/4")	25mm (1")	32mm (1-1/4")	40mm (1-1/2")	50mm (2")
Face To Face	F/F (mm)	68	73	96	103	116	128	142
Bore Diameter	ØP (mm)	10	14	20	25	30.5	37.3	50.5
Height	H (mm)	38	40	53	56	75	80	90
Approx. Weight	W(Kg)	0.6	0.9	1.7	2.3	3.1	4.7	6.2



FIRE SAFE DESIGN



FLANGE END DESIGN

150#	15mm (1/2")	20mm (3/4")	25mm (1")	32mm (1-1/4")	40mm (1-1/2")	50mm (2")	
Face To Face	F/F (mm)	108	117	127	140	165	178
Bore Diameter	ØP (mm)	10	14	20	25	30.5	37.3
Flange Bore	ØA (mm)	15.7	20.9	26.7	35	40.9	52.5
Flange Dia	ØF (mm)	90	100	110	115	125	150
Flange Thickness	FT (mm)	9.6	11.2	12.7	14.3	15.9	17.5
Raised Face	ØRF (mm)	34.9	42.9	50.8	63.5	73	92.1
Raise Face Height	RFH (mm)	1.7	1.7	1.7	1.7	1.7	1.7
Pitch Center Dia.	PCD (mm)	60.3	69.9	79.4	88.9	98.4	120.7
Approx. Weight	W (kg.)	1.7	1.9	3.6	3.8	7.4	11.6

*Flange End Valve also Available in 300#, 600# & Above Class on Request.