



C.I.Y-TYPE STRAINER FLANGED ENDS

Innovation with a "difference"

Specification & Features:

- Fine finish and smooth contours to minimize pressure drop inside the strainer.
- Large screening area makes the strainer extremely efficient in performance.

Applications:

Hobing (Hot & Cold Water), Mining Industry, Construction Industry, Water & Effluent Treatment Plants, Fire Fighting, Heating & Air Conditioning, Gas Supplies, Petroleum & Chemical Industry, Sugar Industry, Solvent Plants, Distribution of oils, Boilers, Hydraulic Machines and for numerous other application.



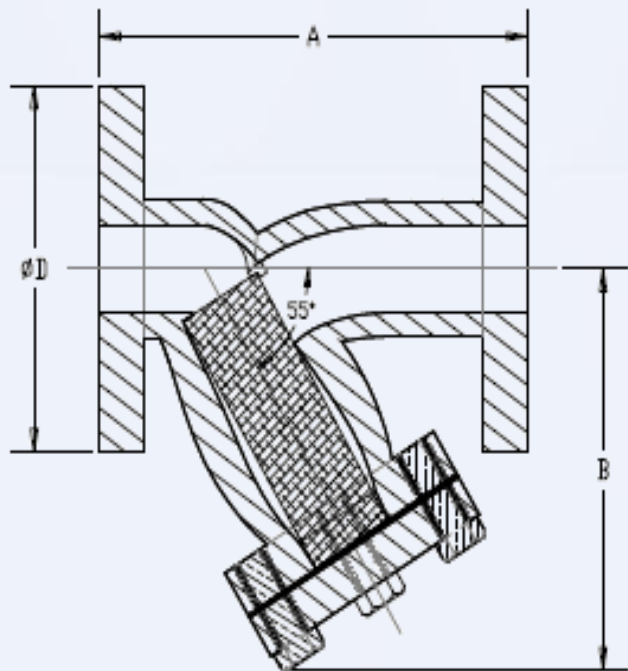
Materials of Construction:

SER. NO.	PART NAME	MATERIAL
1.	BODY	C.I.
2.	COVER	C.I.
3.	FILTER	S.S.
4.	GASKET	RUBBER
5.	NUT & BOLT	C.S.

ARTICLE NO.: LPV 1040

Sizes / Dimensions:

Inches	mm	A	B	ØD
1"	25	126	95	114
1 ¼"	32	160	120	121
1 ½"	40	174	120	133
2"	50	200	222	152
2 ½"	65	212	205	165
3"	80	265	200	184
4"	100	328	226	216
5"	125	384	252	254
6"	150	386	250	279
8"	200	456	348	337
10"	250	550	400	406
12"	300	694	450	457



TESTING & CERTIFICATION :

- Body Test Pressure=300 PSIG(21 barg) Hyd.
- Seat Test Pressure=220 PSIG(15.4 barg) Hyd. & 100 PSIG(7 bar) AIR.