

LP[®]

SINGLE WAFER CHECK VALVE

Innovation with a "difference"

Specification & Features:

- Light weight
- Easily Installed
- Bonded Resilient seat option
- Extremely Compact
- Tight shut-off
- Radiography clear disc & shaft welding for best strength
- Economical
- One moving part
- Low maintenance
- Interchangeable disc design

Applications:

- Wafer Type Check Valve suitable for Water & Oil

Materials of Construction:

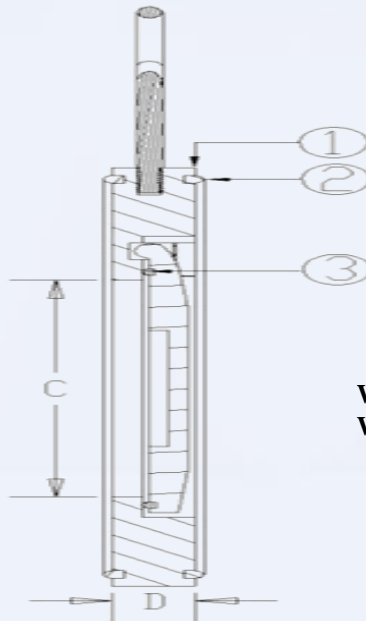
SR. NO.	PART NAME	MATERIAL
1.	BODY	M.S.
2.	OUTER RING	EPDM
3.	INNER RING	EPDM
4.	WASHER	S.S.
5.	SCREW	S.S.
6.	DISC	S.S/M.S/WCB
7.	I-BOLT	M.S.

Sizes / Dimensions:

Inches	mm	ØA	ØB	C	D
1"	25	69	21	14	16
1 ¼"	32	73	26	18	16
1 ½"	40	86	32	22	19
2"	50	97	41	30	19
2 ½"	65	110	50	40	19
3"	80	130	62	50	19
4"	100	160	84	70	19
5"	125	192	107	92	19
6"	150	216	128	112	19
8"	200	273	172	157	28
10"	250	336	213	195	28
12"	300	385	250	230	38
14"	350	445	310	275	40
16"	400	496	352	320	40



ARTICLE NO.: LPV 1031,1032



Working Temperature: 20 C to 200 C
Working Pressure up to: 500 PSG Hyd.

