



C.I. BUTTERFLY VALVE (WAFER TYPE-LOW TORQUE)

Innovation with a "difference"

Specification & Features:

- Design Ref.: IS:13095.
- Available in Clutch Type Handles.
- Also Suitable for Actuator & Gear Mountings.
- 100% Leak Tight Design.
- Compact Design to Facilitate Installation.
- No Part in Contact with Fluid Except Disc & Liner.

Materials of Construction:

SR. NO.	PART NAME	MATERIAL
1.	UPPER SPINDLE	13%Cr
2.	HANDLE	C.I.
3.	LOCK PIN	M.S.
4.	ALLEN BOLT	S.S.
5.	LOCK PLATE	M.S.
6.	GRUB SCREW	M.S.
7.	O-RING	NBR
8.	RUBBER LINER	EPDM/NITRILE/ NEOPRENE
9.	DISC	SGI/CF-8/CF-8M/ WCB
10.	BODY	C.I.
11.	LOWER SPINDLE	13%Cr
12.	BUSH	PTFE

Applications:

Paper & Pulp Industry, Waste & Effluent Treatment Plants, Water Treatment, Chemical & Sugar Industry, Fire Fighting, Drilling Rigs, Heating & Air Conditioning, Cooling Water Circulation, Compressed Air, Civil Constructions & numerous other applications.



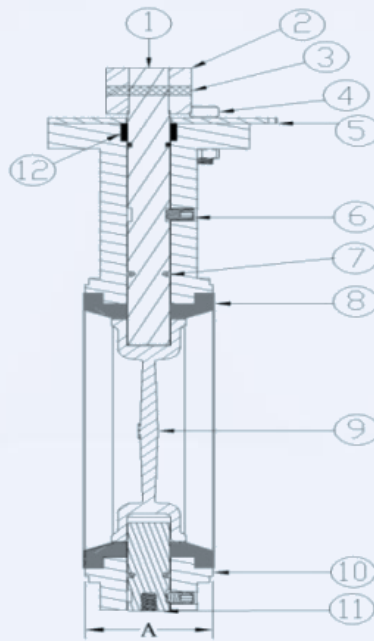
IS:13095



CML-9534789

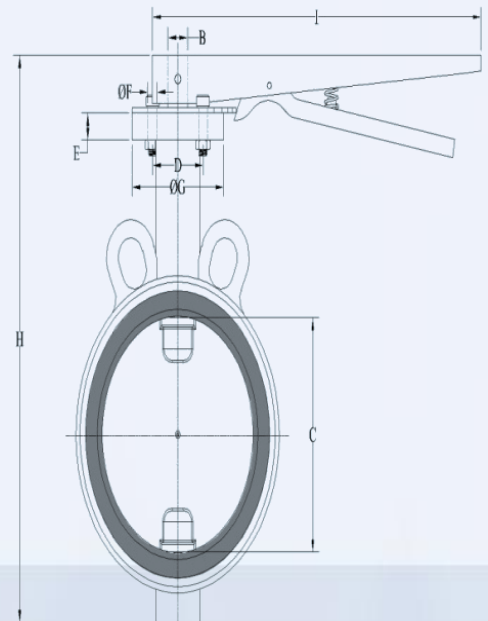
ARTICLE NO.: LPV 1001,1003,1005

PRESSURE CLASS	CLASS -125/150
HYDRO BODY TEST	1.5 Mpa
HYDRO SEAT TEST	1.1 Mpa
PNEUMATIC SEAT TEST	0.7 Mpa



Sizes / Dimensions:

Inches	mm	A	B	C	D	E	F	G	H	I	J	K
1"	25	34	13	25	50	14	7	65	165	170	5	6
1 1/4"	32	34	13	32	50	14	7	65	172	170	5	6
1 1/2"	40	33	13	40	50	14	7	65	185	170	5	6
2"	50	43	13	51	50	17	7	65	220	170	6	7
2 1/2"	65	46	13	65	50	17	7	65	242	170	7	9
3"	80	46	15	81	50	17	7	65	255	195	10	13
4"	100	52	15	103	50	17	7	65	284	195	12	18
5"	125	56	19	125	70	17	9	90	331	320	20	31
6"	150	56	19	153	70	17	9	90	358	320	35	50
8"	200	60	19	201	70	19	9	90	421	320	65	88
10"	250	68	24	253	90	22	9	90	520	450	130	190
12"	300	78	24	300	90	22	9	90	578	450	235	343



- J & K Operational Torques (Nm) for PN 10 & PN 16 Valves Under Static Conditions.
- Lower Operational Torques For Lesser Wear & Tear & Much Enhanced Life.