



G.M. / BRONZE UNION BONNET GLOBE VALVES - BS 5154

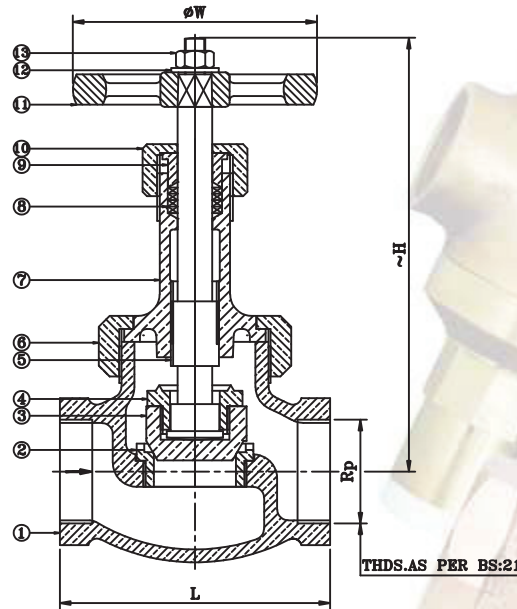
SPECIFICATIONS

UNION BONNET, INSIDE SCREW, RISING
STEM RENEWABLE SEAT & DISC,
SCREWED FEMALE BSP PARALLEL
THREADS TO BS21.

Other Forms of Threads Can
Be Provided on Request.

PRESSURE-TEMPERATURE RATINGS

PN 25 : 25 Bar FROM -
10°C TO 100°C
10.5 Bar at 260°C



STANDARD MATERIAL COMBINATION

P.NO.	DESCRIPTION	MATERIALS	SPECIFICATIONS
1	BODY	G.M.	EN 1982 Gr. CC491K
2	BODY SEAT RING	13% Cr. STEEL	ASTM A182 F6a or its equivalent
3	DISC	13% Cr. STEEL	ASTM A182 F6a or its equivalent
4	STEM NUT	G.M.	EN 1982 Gr. CC491K
5	STEM	13% Cr. STEEL	ASTM A 182 F6a / ASTM A276-410 or their equivalent
6	UNION NUT	G.M.	EN 1982 Gr. CC491K
7	BONNET	G.M	EN 1982 Gr. CC491K
8	GLAND PACKING	TO SUIT SERVICE CONDITIONS	
9	GLAND	13% Cr. STEEL	ASTM A 182 F6a / ASTM A276-410 or their equivalent
10	GLAND NUT	G.M.	EN 1982 Gr. CC491K
11	HAND WHEEL	C.I. / STEEL	EN 1561 Gr. GJL200 / ANY GRADE
12	WASHER	CARBON STEEL	ANY GRADE
13	NUT	CARBON STEEL	ANY GRADE

DIMENSIONAL DATA

SIZE (mm)	15	20	25	32	40	50	65	80	100
L	70	85	100	108	125	148	168	203	248
H	108	115	128	180	205	243	245	261	331
ØW	60	60	70	80	90	110	140	157	184
Aprox. Wt. ▲	0.690	1.000	1.500	2.800	3.770	5.850	8.500	12.500	22.420
ITEM CODE NOS.	GM 020	GM 020	GM 020	GM 020	GM 020	GM 020	GM 020	GM 020	GM 020

TEST PRESSURES

NOMINAL PRESSURE ACCORDING TO PN OR CLASS DESIGNATION	SHELL TEST (HYDROSTATIC)	SEAT TEST (HYDROSTATIC)	STANDARD NO.
PN 25	37.5 bar	27.5 bar	EN 12266 PART 1

NOTE: The above data is subject to change without notice due to our continuing product improvement program. (▲ WEIGHT GIVEN IN KGS)