



Cu-ALLOY SWING CHECK VALVES - BS 5154

SPECIFICATIONS

SCREWED IN COVER, INTEGRAL SEAT, SCREWED FEMALE
BSP PARALLEL THREADS TO BS 21.

Other Forms of Threads Can Be Provided on Request.

PRESSURE-TEMPERATURE RATINGS

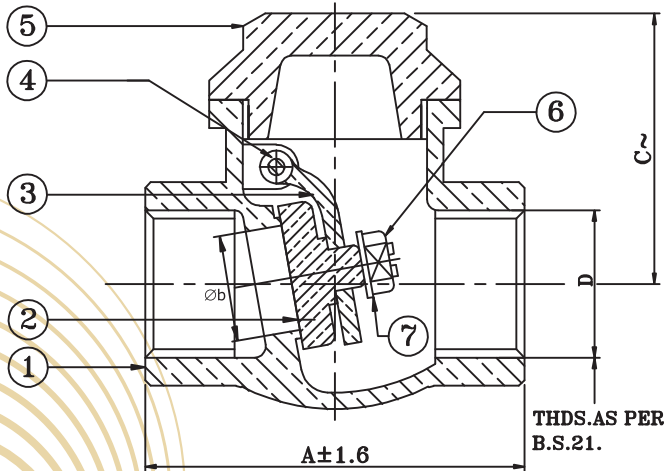
METAL TO METAL SEAT

20 bar AT-10°C to 100°C

9 bar AT-180°C

RESILIENT SEAT (RESTRICTED TO MAX. TEMP. OF 100°C)

20 bar FROM - 10°C TO 100°C



STANDARD MATERIAL COMBINATION

P.NO.	DESCRIPTION	MATERIALS	SPECIFICATIONS
1	BODY	G.M.	EN 1982 Gr. CC491K
2	DISC	G.M.	EN 1982 Gr. CC491K
3	HINGE	G.M.	EN 1982 Gr. CC491K
4	HINGE PIN	BRASS	DIN EN 12165:98 CW617N
5	COVER	G.M.	EN 1982 Gr. CC491K
6	HINGE NUT	BRASS	DIN EN 12165:98 CW617N
7	WASHER	HT BRASS / G.M.	DIN EN 1265 CW 721R

DIMENSIONAL DATA

SIZE (mm)	15	20	25	32	40	50	65	80	100
A	57	68.5	81	93.5	108	130	154	189	222.5
D	½	¾	1	1 ¼	1 ½	2	2 ½	3	4
~C	40	50	52	65	70	78	100	106	130
Øb	12.7	22	24	29.9	29.5	46	63	70.5	102
Aprox. Wt. ⚡	0.400	0.630	0.800	1.150	1.850	2.685	4.795	7.600	13.440
ITEM CODE NOS.	GM 045	GM 045	GM 045	GM 045	GM 045	GM 045	GM 045	GM 045	GM 045

TEST PRESSURES

NOMINAL PRESSURE ACCORDING TO PN OR CLASS DESIGNATION	SHELL TEST (HYDROSTATIC)	SEAT TEST (HYDROSTATIC)	STANDARD NO.
PN 25	37.5 bar	17.6 bar	EN 12266 PART 1

NOTE: The above data is subject to change without notice due to our continuing product improvement program.

(⚡ WEIGHT GIVEN IN KGS)