

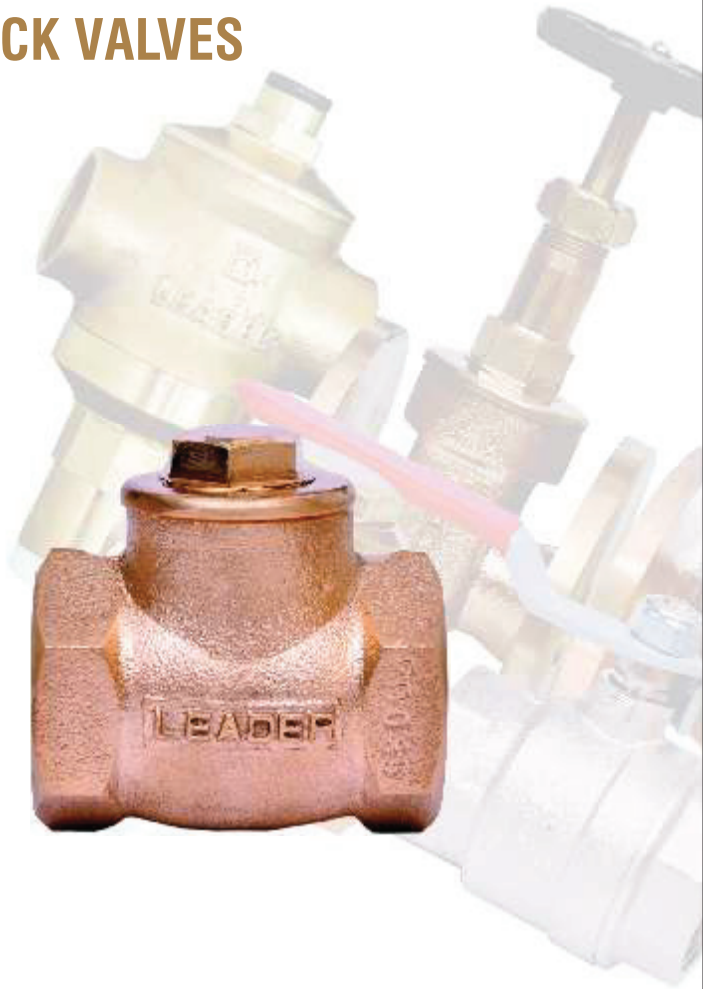
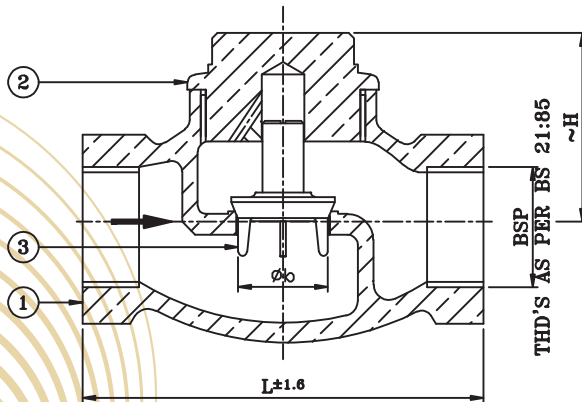


G.M. / BRONZE HORIZONTAL LIFT CHECK VALVES

SPECIFICATIONS

SCREWED IN COVER, INTEGRAL SEAT, RESILIENT SEATED,
SCREWED FEMALE BSP PARALLEL
THREADS TO BS 21.

Other Forms of Threads Can Be Provided on Request.



STANDARD MATERIAL COMBINATION

PART NO.	DESCRIPTION	MATERIALS	SPECIFICATIONS
1.	BODY	G.M.	BSEN 1982 Gr. CC491K
2.	COVER	G.M.	BSEN 1982 Gr. CC491K
3.	DISC	G.M.	BSEN 1982 Gr. CC491K

DIMENSIONAL DATA

SIZE (mm)	8	10	15	20	25	32	40	50	65	80	100	125	150
L	40	40	45	55	67	80	89	110	134	159	190	235	267
Øb	9.5	9.5	11	16	22.5	29	35	45	63.5	76.2	96	122	148
H	23	23	25	30	40	50	55	60	75	85	110	130	145
Aprox. Wt. [△]	--	0.100	0.160	0.340	0.480	0.890	1.180	1.760	3.425	5.130	11.400	17.250	30.300
ITEM CODE	GM 030	GM 030	GM 030	GM 030	GM 030	GM 030	GM 030	GM 030	GM 030	GM 030	GM 030	GM 030	GM 030

TEST PRESSURES

NOMINAL PRESSURE ACCORDING TO PN OR CLASS DESIGNATION	SHELL TEST (HYDROSTATIC)	SEAT TEST (HYDROSTATIC)	STANDARD NO.
PN 16	24 bar	17.6 bar	EN 12266 PART 1

NOTE: The above data is subject to change without notice due to our continuing product improvement program. (△ WEIGHT GIVEN IN KGS)