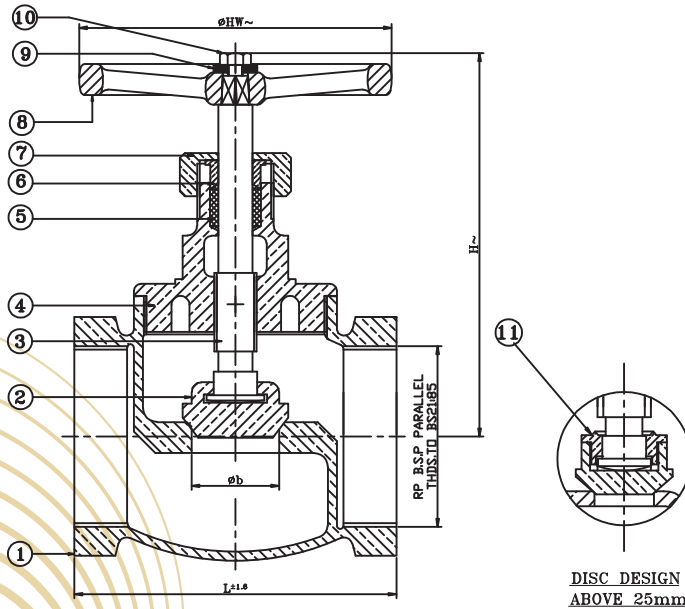




G.M. / BRONZE GLOBE VALVES

SPECIFICATIONS : SCREWED IN BONNET INSIDE SCREW, RISING STEM, INTEGRAL SEAT, RENEWABLE DISC. PARALLEL THREADS.
Other Forms of Threads Can Be Provided on Request.



STANDARD MATERIAL COMBINATION

P.NO.	DESCRIPTION	MATERIALS	SPECIFICATIONS
1	BODY	G.M	EN 1982 Gr. CC491K
2	DISC	G.M	EN 1982 Gr. CC491K
3	STEM	BRASS ROD	DIN EN 12165:98 CW721R
4	BONNET	G.M. / BRASS	EN 1982 Gr. CC491K/ DIN EN 12165:98 CW617N
5	GLAND PACKING	TO SUIT SERVICE CONDITIONS	
6	GLAND	BRASS	DIN EN 12165:98 CW617N
7	GLAND NUT	G.M. / BRASS	EN 1982 Gr. CC491K/DIN EN 12165:98 CW617N
8	HAND WHEEL	C.I./ STEEL	EN 1561 Gr. GJL200/ ANY GRADE
9	WASHER	CARBON STEEL	ANY GRADE
10	SET SCREW	CARBON STEEL	ANY GRADE
11	STEM NUT	G.M / BRASS	EN 1982 Gr. CC491K/DIN EN 12165:98 CW617N

DIMENSIONAL DATA

SIZE(mm)	8	10	15	20	25	32	40	50	65	80	100	125	150
L	40	40	45	55	67	80	89	110	134	159	191	235	267
∅b	9.5	9.5	11.0	16.0	22.5	29.0	35.0	45.0	63.5	76.2	96	122	148
~H	55	55	61	73	84	108	112	120	150	165	235	245	280
HW	48	48	63	63	70	80	90	110	130	130	171	220	254
Approx. Wt. ^	0.130	0.130	0.185	0.350	0.510	0.665	1.210	1.900	3.860	5.450	12.280	23.950	32.400
ITEM CODE NOS.	PN 16	GM 008	GM 008	GM 008	GM 008	GM 008	GM 008	GM 008	GM 008	GM 008	GM 008	GM 008	GM 008

TEST PRESSURES

NOMINAL PRESSURE ACCORDING TO PN OR CLASS DESIGNATION	SHELL TEST (HYDROSTATIC)	SEAT TEST (HYDROSTATIC)	STANDARD NO.
PN 16	24 bar	17.6 bar	EN 12266 PART 1

NOTE: The above data is subject to change without notice due to our continuing product improvement program. (^ WEIGHT GIVEN IN KGS)