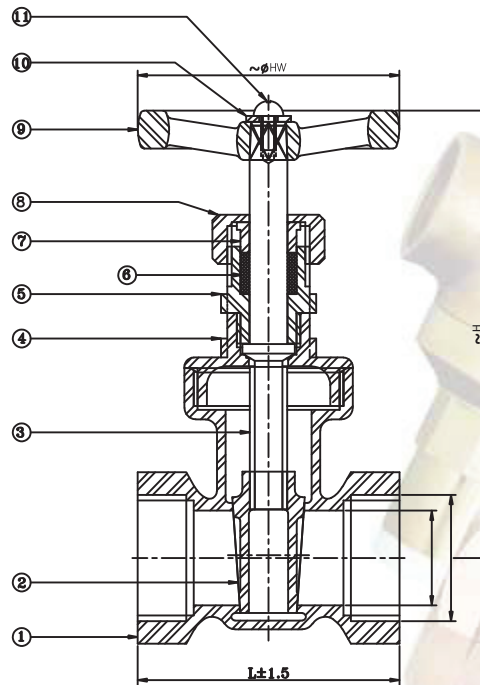




Bronze BASIC GATE VALVE

SPECIFICATIONS : GM
BASIC GATE VALVE, PN 16,
SCREWED BONNET, NON
RISING STEM, SCREWED
ENDS



STANDARD MATERIAL COMBINATION

P.NO.	DESCRIPTION	MATERIALS	SPECIFICATIONS
1	BODY	G.M.	BSEN 1982 Gr. CC491K
2	WEDGE	G.M.	BSEN 1982 Gr. CC491K
3	STEM	BRASS ROD	BS 2874/2874 CZ122
4	GASKET	RUBBER	
5	BONNET	GM/BRASS	BS 1400 LG2/BS2874 CZ122
6	STEM BUSH	BRASS	BS 2874/2874 CZ122
7	PACKING	RUBBER	
8	GLAND NUT	BRASS	DIN EN 12165 CW 617 N
9	HAND WHEEL	M.S	IS GRADE
10	WASHER	C.S.	ANY GRADE
11	SETS SCREW	C.S.	ANY GRADE
12	GRAND FLOWER	BRASS	BS 2874/2874 Cz122

DIMENSIONAL DATA

SIZE (mm)	15	20	25	32	40	50	
L	43	45	54	60	64	78	
b	13	19	25	32	38.1	50	
~H	74	89	97	113	124	152	
∅HW	60	60	60	60	90	90	
Rp	1/2"	3/4"	1"	1 1/4"	1 1/2"	2"	
ITEM CODE	PN 16	GM 002B	GM 002B	GM 002B	GM 002B	GM 002B	GM 002B
Aprox. Wt. ▲	0.220	0.335	0.450	0.730	1.080	1.750	

TEST PRESSURES

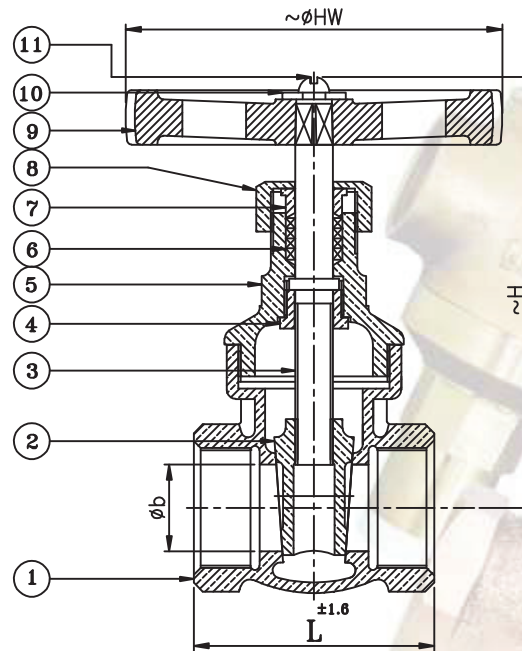
NOMINAL PRESSURE ACCORDING TO PN OR CLASS DESIGNATION	SHELL TEST (HYDROSTATIC)	SEAT TEST (HYDROSTATIC)	STANDARD NO.
PN 16	24 bar	17.6 bar	EN 12266 PART- 1

NOTE: The above data is subject to change without notice due to our continuing product improvement program. (▲ WEIGHT GIVEN IN KGS)



G.M. / BRONZE LEADER GATE VALVE

SPECIFICATIONS : SCREWED IN BONNET INSIDE SCREW, NON RISING STEM, INTEGRAL SEAT, SOLID WEDGE, SCREWED FEMALE BSP PARALLEL THREADS TO BS 21.



STANDARD MATERIAL COMBINATION

P.NO.	DESCRIPTION	MATERIALS	SPECIFICATIONS
1	BODY	G.M.	BS 1982 GR. CC 491 K
2	WEDGE (SOLID)	G.M.	BS 1982 GR. CC 491 K
3	STEM	HT BRASS	DIN EN 12165 CW 721 R
4	STEM BUSH	BRASS	DIN EN 12165 CW 617 N
5	BONNET	G.M.	BS 1982 GR. CC 491 K
6	PACKING	TO SUIT SERVICE CONDITIONS	
7	GLAND	BRASS	DIN EN 12165 CW 617 N
8	GLAND NUT	BRASS	DIN EN 12165 CW 617 N
9	HAND WHEEL	CI TO BSEN 1561 GR. EN GJL 200 / MS SHEET	
10	WASHER	CARBON STEEL	ANY GRADE
11	SETS SCREW	CARBON STEEL	ANY GRADE

DIMENSIONAL DATA

SIZE(mm)	8	10	15	20	25	32	40	50	65	80	100
L	43	43	48	53	58	68	72	83	94	105	127
ϕb	10	10	13	19.1	25	32	38	50	63.5	76.2	100
$\sim H$	74	74	82	93	111	125	138	172	210	245	297
ϕHW	48	48	60	60	60	70	90	92	140	140	168
Aprox. Wt.	-	-	0.310	0.460	0.621	1.110	1.350	2.300	3.500	5.150	9.630
ITEM CODE	GM 002	GM 002	GM 002	GM 002	GM 002	GM 002	GM 002	GM 002	GM 002	GM 002	GM 002

TEST PRESSURES

NOMINAL PRESSURE ACCORDING TO PN OR CLASS DESIGNATION	SHELL TEST (HYDROSTATIC)	SEAT TEST (HYDROSTATIC)	STANDARD NO.
PN 16	24 bar	17.6 bar	EN 12266 PART- 1

NOTE: The above data is subject to change without notice due to our continuing product improvement program.

(▲ WEIGHT GIVEN IN KGS)