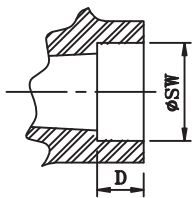
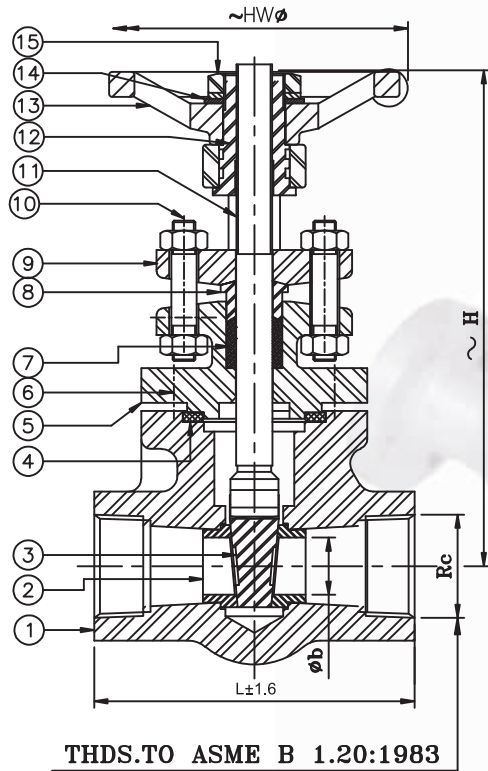




**FORGED STEEL
GATE VALVES -
API 602,
ASME B16.34,
BSEN ISO 15761
(Socket Weld End,
Screwed & BWE)**



SOCKET WELDED ENDS



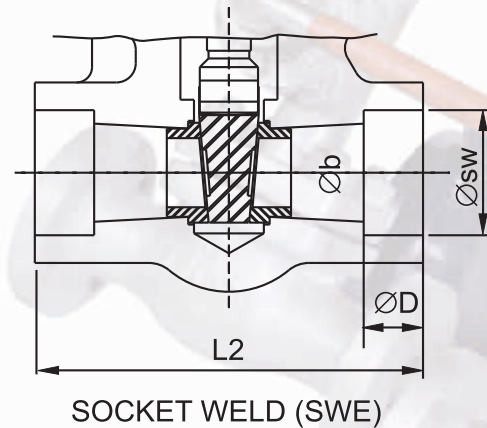
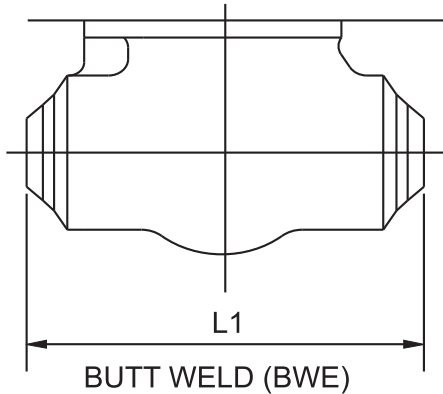
STANDARD MATERIAL COMBINATION

S.NO.	PART NAME	Carbon steel to ASTM		Alloy steel to ASTM				Stainless steel to ASTM			
		A105	A350 LF2	A182 F5	A182 F11	A182 F22	A182 F9	A182 F304	A182 F316	A182F304L	A182F316L
1	BODY	A105	A350 LF2	A182 F5	A182 F11	A182 F22	A182 F9	A182 F304	A182 F316	A182F304L	A182F316L
2	SEAT RING	As per Trim Material Combination									
3	WEDGE	As per Trim Material Combination									
4	GASKET	Spiral wound Stainless steel Graphoil filled									
5	BONNET	A105	A350 LF2	A182 F5	A182 F11	A182 F22	A182 F9	A182 F304	A182 F316	A182 F316	A182F316L
6	STUDS	A193B7	A320 L7	A193 B7	A193 B7	A193 B16	A193 B16	A193 B8	A193B8	A193B8	A193B8
7	PACKING	To suit service conditions									
8	GLAND	A182 F6a	A182 F6a	A182 F6a	A182 F6a	A182 F6a	A182 F6a	F-304	F-316	F-304L	F-316L
9	GLAND FLANGE	A105	A350 LF2	A182 F5	A182 F11	A182 F22	A182 F9	A182 F304	A182 F316	A182F304L	A182F316L
10	NUTS	A194 2H	A194 Gr.4	A194 2H	A194 Gr.4	A194 Gr.4	A194 Gr.4	A194 Gr.8	A194 Gr.8	A194 Gr.8	A194 Gr.8
11	STEM	As per Trim Material Combination									
12	YOKE SLEEVE	Al. Bronze BS 1400 AB2C or Ni-resist to A439 D2									
13	HANDWHEEL	DI. A536 80-55-06 OR MI/A338									
14	NAME PLATE	ALUMINIUM / STEEL									
15	HANDWHEEL RETAINING NUT	CARBON STEEL									

Body Material Combination with Body/Bonnet ASTMA F304H, F316H, F321, F347 also provided.



FORGED STEEL GATE VALVES - API 602, ASME B16.34, BSEN ISO 15761



•All dimensions in mm

TRIM MATERIAL COMBINATION (ON REQUEST)

Trim No.	Seat Ring Face	Wedge Seat Face	Stem	Backseat Bush	Lantern Ring
1	F6a/13%Cr.	F6a/13%Cr.	F6a/AISI410	F6a/AISI410	F6a/AISI410
2	F304	F304	F304/AISI304	F304/AISI304	F304/AISI304
5	STELLITE	STELLITE	F6a/AISI410	F6a/AISI410	F6a/AISI410
8	STELLITE	F6a/13%Cr.	F6a/AISI410	F6a/AISI410	F6a/AISI410
9	MONEL	MONEL	MONEL	MONEL	MONEL
10	F316	F316	F316/AIS1316	F316/AIS1316	F316/AIS1316
12	316+STELLITE	316	F316/AISI316	F316/AISI316	F316/AISI316
13	ALLOY 20	ALLOY 20	ALLOY 20	ALLOY 20	ALLOY 20

DIMENSIONAL DATA CLASS - 800 (REDUCED BORE)

DN	NPS	ϕb	L1(BWE)	L2(SWE)	H	ϕHW	ϕSWE		D	Aprox.Wt. [^]
							BS 3799	ASME B16.11		
15	1/2	9.5	80	80	130	83	+0.3 21.8	22.2 21.8	11	1.6
20	3/4	12.5	88	88	150	90	+0.3 27.4	27.6 27.2	14	2.1
25	1	18	100	100	168	96	+0.3 34.1	34.3 33.9	14	3.15
32	1 1/4	24	114	114	186	114	+0.3 42.9	43.1 42.7	14	4.92
40	1 1/2	31	104	104	222	125	+0.3 49	49.2 48.8	14	5.8
50	2	37	116	116	245	125	+0.3 61	61.7 61.2	17	9.450

NOTE: The above data is subject to change without notice due to our continuing product improvement program. ([^]WEIGHT GIVEN IN KGS)