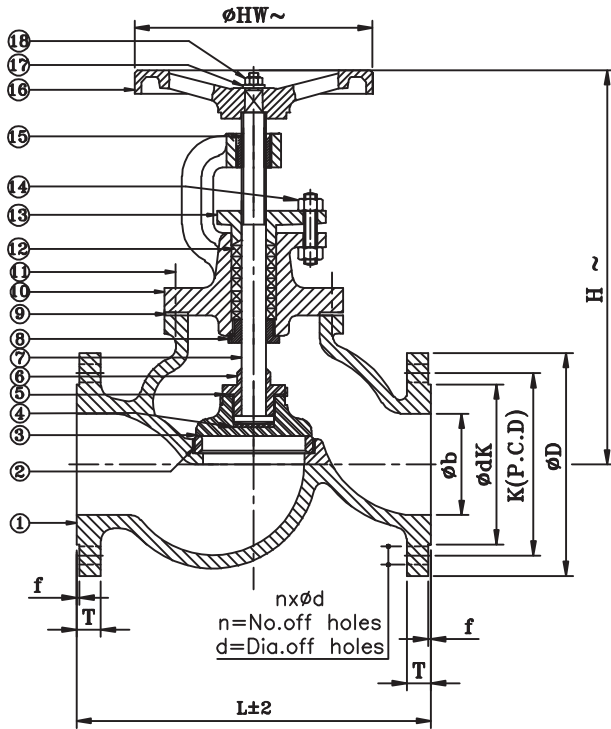




CAST STEEL GLOBE VALVES BS: 5160/DIN: 2401

SPECIFICATIONS

BOLTED BONNET, RISING STEM, S.S. TRIM, FLANGES AS PER DIN STD 2545 : PN 40 (R.F.)



STANDARD MATERIAL COMBINATION

P.NO.	DESCRIPTION	MATERIALS	SPECIFICATIONS
1.	BODY	C.C.S.	ASTM A216 Gr.WCB
2.	BODY SEAT RING (HB-250 Min)	13% Cr. STEEL	ASTM 1 182:01 Gr. F6a
3.	DISC (HB-300 Min)	C.C.S.	ASTM A216 Gr.WCB 13% Cr. WELD DEPOSIT
4.	THRUST PLATE	HARDENED STEEL	-----
5.	LOCKING WASHER	S.S.	ANY GRADE
6.	DISC NUT (HB-250 Min)	13% Cr. STEEL	ASTM A276 TYPE410/ASTM A 182 Gr. F6a
7.	STEM (HB-200 Min)	13% Cr. STEEL	ASTM A276 TYPE410/ASTM A 182 Gr. F6a
8.	BACK SEAT BUSH (HB-250 Min)	13% Cr. STEEL	ASTM A276 TYPE410/ASTM A 182 Gr. F6a
9.	GASKET	SPRIAL WOUND S.S.304 WITH GRAPHITE FILLER	
10.	BONNET	C.C.S.	ASTM A216 Gr.WCB
11.	STUDS & NUTS	ALLOY STEEL/H.T.STEEL	ASTM A 193 GR. B7/ ASTM A 194 Gr.2H
12.	PACKING		FLEXIBLE GRAPHITE
13.	GLAND	C.C.S.	ASTM A216 Gr.WCB
14.	STUDS & NUTS	ALLOY STEEL/H.T.STEEL	ASTM A 193 Gr.B7/ ASTM A 194 Gr.2H
15.	YOKE BUSH	AL. BRONZE	BSEN 1982 Gr. CC333G
16.	HAND WHEEL	D.I.	ASTM A536 Gr. 80-55-06
17.	WASHER	CARBON STEEL	IS 2062 Gr.A
18.	NUT FOR HANDWHEEL	CARBON STEEL	BS 916-53

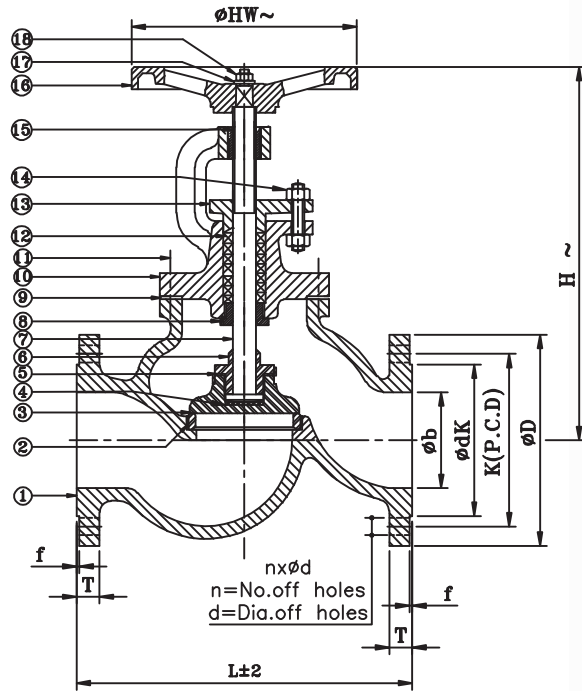
NOTE: The above data is subject to change without notice due to our continuing product improvement program.



CAST STEEL GLOBE VALVES BS: 5160/DIN: 2401

SPECIFICATIONS

BOLTED BONNET, RISING STEM, S.S. TRIM, FLANGES AS PER DIN STD 2545 : PN 40 (R.F.)



• All dimensions in mm

PRESSURE / TEMPERATURE RATINGS TO BS 5160/DIN 2401

NOMINAL PRESSURE	MAX. PERMISSIBLE GAUGE WORKING PRESSURE °C						
	10 TO 120°C	200°C	250°C	300 °C	350 °C	400 °C	425 °C
PN 40	40 bar	40bar	38bar	33bar	28bar	23bar	20bar

DIMENSIONAL DATA

DN NPS	15 1/2'	20 3/4"	25 1"	32 1-1/4"	40 1-1/2"	50 2"	65 2-1/2"	80 3"	100 4"	125 5"	150 6"	200 8"	250 10"	300 12"
øHW~	125	125	160	160	200	200	250	250	300	300	300	350	400	400
L	130	150	160	180	200	230	290	310	350	400	480	600	730	850
øb	15	20	25	32	40	50	65	80	100	125	150	200	250	300
øD	95	105	115	140	150	165	185	200	235	270	300	375	450	515
~H(Close)	190	196	225	236	291	314	325	380	435	468	555	645	-	-
~H(Open)	194	201	231	244	301	327	341	400	460	499	593	695	-	-
dk	45	58	68	78	88	102	122	138	162	188	218	285	345	410
K	65	75	85	100	110	125	145	160	190	220	250	320	385	450
n	4	4	4	4	4	4	8	8	8	8	8	12	12	16
ød	14	14	14	18	18	18	18	18	22	26	26	30	33	33
Aprox. Wt. ^	3.23	4.85	6.35	11.7	14	20.3	32.8	42.5	66.5	105.7	169.3	268	419	660

TEST PRESSURES

NOMINAL PRESSURE RATING	SHELL TEST (HYDROSTATIC)	SEAT TEST (HYDROSTATIC & 6:9 BAR (AIR))
PN 40	60 bar	40 bar

NOTE: The above data is subject to change without notice due to our continuing product improvement program.