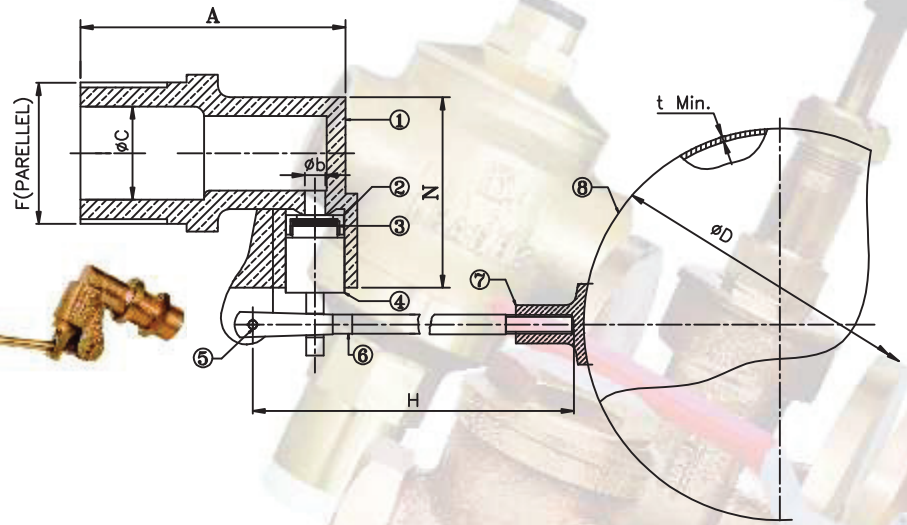




LEADER G.M. / BRONZE FLOAT VALVES

SPECIFICATIONS

Rough Body with Plastic Ball, SCREWED
MALE BSP PARALLEL THREADS TO BS 21.
Other Forms of Threads Can Be Provided on
Request.



WORKING PRESSURE / TEMPERATURE

6 Bar upto 45°C

CLASS RATING : PN 6

STANDARD MATERIAL COMBINATION

P. NO.	DESCRIPTION	MATERIALS	SPECIFICATIONS
1.	BODY	GUN METAL	EN 1982 Gr. CC491K
2.	WASHER	NITRILE RUBBER	BS: 2751 BA70
3.	PISTON CAP	GUN METAL	EN 1982 Gr. CC491K
4.	PISTON	GUN METAL	EN 1982 Gr. CC491K
5.	SPLIT PIN	PH. BRONZE	BS 2873 PB 102
6.	LEVER	BRASS ROD	DIN EN 12165:98 CW721R
7.	BALL CAP	GUN METAL	EN 1982 Gr. CC491K
8.	BALL	HDPE / COPPER	POLYETHYLENE *

DIMENSIONAL DATA

SIZE (mm)	15	20	25	32	40	50	80
A	78	80	81	96	114	135	185
ØC	12.5	19	25.4	32	38	47.5	74
F	1/2"	3/4"	1"	1-1/4"	1-1/2"	2"	3"
H	222	330	406	571	571	736	800
N	40	45	60	76	80	97	139
Øb	5.5	6.5	7.5	7.5	9.5	10.5	16
Approx. Wt.	0.290	0.520	0.890	1.400	1.750	3.570	----
ITEM CODE NOS.	GM 066	GM 066	GM 066	GM 066	GM 066	GM 066	GM 066

TEST PRESSURES

NOMINAL PRESSURE ACCORDING TO CLASS DESIGNATION	SHELL TEST (HYDROSTATIC)	SEAT (HYDROSTATIC)	STANDARD NO.
PN 6	9 BAR (HYD)	6.6 BAR (HYD)	EN 12266 PART-1

NOTE: The above data is subject to change without notice due to our continuing product improvement program.

(▲ WEIGHT GIVEN IN KGS)

*Copper Ball can be provided on request.