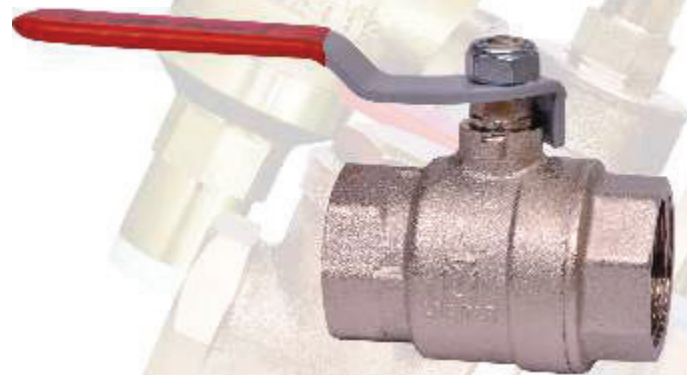
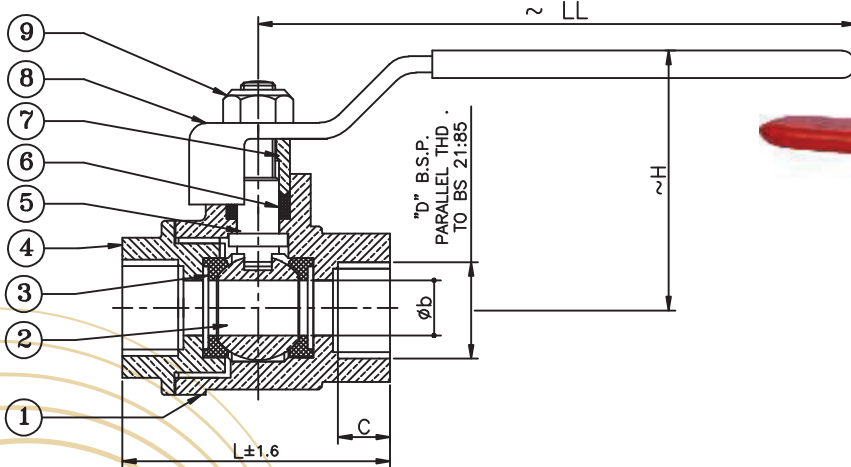




BRASS BALL VALVES

SPECIFICATIONS :

FULL BORE BALL VALVE , TWO PIECE DESIGN, LEVER OPERATED, SCREWED FEMALE BSP PARALLEL THREADS TO BS21.
Other Forms of Threads Can Be Provided on Request.



STANDARD MATERIAL COMBINATION

P. NO.	DESCRIPTION	MATERIALS	SPECIFICATIONS
1	BODY	NICKLE-PLATED FORGED BRASS	DIN EN 12165:98 CW 617N
2	BALL	BRASS CHROME PLATED	DIN EN 12164:98 CW 614N
3	SEAT	PTFE	-----
4	END CONNECTOR	BRASS	DIN EN 12165:98 CW 617N
5	STEM	BRASS CHROME PLATED	DIN EN 12164:98 CW 614N
6	STEM PACKING	PTFE	-----
7	GLAND	BRASS	DIN EN 12164:98 CW 341N
8	LEVER	CARBON STEEL SHEET	PVC INSULATED WITH DACROMET PLATED
9	NUT	CARBON STEEL	-----

DIMENSIONAL DATA

SIZE (mm)	15	20	25	32	40	50	65	80
øb	14	18	23	32	38	50	65	80
L	46	52	63.5	81	80.5	101	134	158
-H	46	51	56	79	75	94	123	138
-LL	86	86	103	140	150	165	222	260
D	1/2"	3/4"	1"	1-1/4"	1-1/2"	2"	2-1/2"	3"
C	8	9.5	10.4	16	12.7	16	24	28
Item Code	GM200	GM200	GM200	GM200	GM200	GM200	GM200	Gm200
Class	PN - 25	PN-25	PN - 25	PN - 25	PN - 25	PN - 25	PN - 25	PN - 25

TEST PRESSURES

CLASS	SHELL TEST (HYDROSTATIC) BAR	SEAT		STANDARD NO.
		(HYDROSTATIC) BAR	(PNEUMATIC) BAR	
PN 25	30	22	6.9	EN 12266 PART-1

NOTE: The above data is subject to change without notice due to our continuing product improvement program. (▲WEIGHT GIVEN IN KGS)